

改2016.10岩谷ガスブリストター台紙(CB-TC-RPO2)米国向け

サイズ :H 255mm × W 371mm (変形)

カラー :プロセス4C

C M Y K

※画像は実画像です。  
※CS5で作成。  
※カンパは90%に縮小です。

SEIKODO 東京/制作課 kojima  
依頼番号 61350 / 00000  
受注番号  
支給データ 2016.9.27  
再支給データ 2016.10.04

最終入稿変更チェック

データ変更指示者 名前

データ変更制作者 名前

変更なし

※変更指示者&データ変更者は氏名を記入。調整なしの場合は最終データ保存者が✓を入れてバックアップへ。



Iwatani  
perfection since 1930



TORCH BURNER  
PROFESSIONAL

CB-TC-PRO2  
PROFESSIONAL

TORCH EXTERNAL DIMENSIONS

7.0"/180 mm (L) × 1.5"/39 mm (W) × 3.0"/78 mm (H)  
(main burner unit only)  
7.6"/195 mm (L) × 3.9"/100 mm (W) × 9.9"/253 mm (H)  
(with butane canister & stabilizing plate)  
Approx. 0.4 lb/168 g (main burner unit only)  
Approx. 1.2 lb/560 g (main burner unit + unused  
canister + stabilizing plate)  
Burning Time  
Approx. 1 hour 50 minutes  
(when using Iwatani Butane canister 8 oz/227 g)  
Heat Generation  
6,295.7 BTU (1.85 kW, 1600 kcal/h)  
NOZZLE DIAMETER 0.875"/22.2 mm (ø)  
(OUTSIDE DIAMETER)  
Maximum Flame Temp.: Approx. 2700°F/1500°C  
IGNITION METHOD: ELECTRONIC IGNITION

\*1 Approximate time when used intermittently at  
strong burner strength (at temperatures  
between 68-77°F/20°C-25°C)  
\*2 Converted value based on gas consumption  
rate when burned continuously for five minutes  
(at temperatures between 68-77°F/20°C-25°C)



● GOOD FOR ALL PROFESSIONAL COOKING NEEDS ●

FOR PROFESSIONAL USE ONLY.  
KEEP OUT OF THE REACH OF CHILDREN.

**CAUTION**

Carefully read the instruction manual included to  
use the torch burner correctly.

Iwatani Group  
Iwatani Corporation of America

2200 Post Oak Blvd., Suite 1150, Houston, TX 77056  
http://www.iwatani.com



TORCH BURNER  
PROFESSIONAL

CB-TC-PRO2

PROFESSIONAL

- BUILT-IN PISTOL TYPE  
PIEZO IGNITION
- PUSH-IN TWEIST GAS  
CANISTER ATTACHMENT
- BUILT-IN  
FLAME STRENGTH  
ADJUSTMENT
- FLAME SHAPE  
ADJUSTMENT  
KNOB

MADE IN JAPAN

Iwatani  
perfection since 1930

TORCH BURNER  
PROFESSIONAL CB-TC-PRO2

# Iwatani TORCH BURNER PROFESSIONAL

FOR PROFESSIONAL USE ONLY

## [Instruction Manual]

To ensure the product is used safely and properly, please make sure you have read the  
Instruction Manual before using the product. Furthermore, please keep the manual safe  
so that people using the product can refer to it at any time.

- Danger** This label describes information on an impending danger of death or serious injury or risk of fire in  
the event the warning is ignored and the product is handled incorrectly.
- Warning** This label describes information on the risk of death or serious injury to the user in the event the  
warning is ignored and the product is handled incorrectly.
- Caution** This label describes information on the risk of injury to the user or a case where only physical  
damage may occur in the event the warning is ignored and the product is handled incorrectly.

\* The pictorial symbols have the following meanings.

- ⚠ General Danger, warning or caution
- ! Do EXACTLY as instructed
- 🚫 Prohibited
- 🔥 Keep away from flame
- 🚫 Do not touch
- 🔧 Do not disassemble

## ■ Cautions for Use

### ⚠ Warning

- Use the product after attaching the canister in the correct manner as indicated in the  
instruction manual. If the canister has not been properly attached, there is danger of a  
gas leakage or detachment during use, which may result in burns or an accident.
- **Be sure to attach or detach the canister in a ventilated place without fire around it.** Trace  
amounts of gas may leak when the container is attached or  
detached, possibly causing ignition.
- In the event a gas leak occurs, **do not use the product under  
any circumstances.** Doing so is dangerous due to the risk of  
burning caused by ignition.
- **When the torch is lit and operating, avoid looking into the flame  
outlet or pointing the flame outlet at the face or body.** Doing so  
is dangerous due to the risk of burns caused by exposure to  
the flame.
- Do not light the torch if a mist-like gas is released from the flame  
outlet. Lightly pull on the ignition trigger to release the gas for  
two to three seconds, stop pulling on the ignition trigger, allow  
the released gas to dissipate and perform lighting and operation  
again once there is no longer any odor of gas.
- When the torch is lit and operating, the flame outlet and area  
around the flame outlet will become hot. **Putting combustible  
or flammable materials near the torch is dangerous as this  
may cause the materials to catch fire. Only use the torch after  
adequately checking the safety of the surrounding area.**
- Avoid placing the torch with a canister still attached near a  
source of fire. Doing so is dangerous due to the risk of an  
explosion caused by the canister overheating from the heat  
of the fire source.
- Do not modify or disassemble the torch. Doing so may cause the torch to malfunction or  
lead to an accident.



Please use Iwatani Butane canister with this product.  
Butane canister sold separately

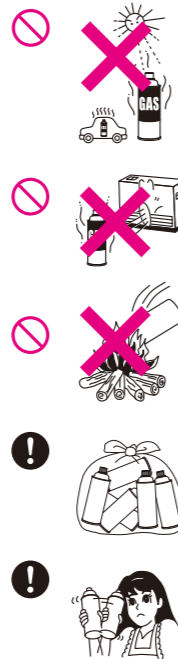
**Warning**

- When attaching the canister to the torch always do so with the canister standing upright.
- Do not dramatically tilt or swing the torch immediately after ignition. Doing so is dangerous as it can cause the flame to grow in size.
- Whenever the torch is not in use, twist the flame strength adjustment knob fully in the direction denoted by the minus (“-”) symbol to close it.
- The area around the flame outlet will be hot during use and immediately after being extinguished. Do not touch the area until it has cooled sufficiently.
- Never place the torch in reach of children.
- Make sure to detach the canister when not using the torch for an extended period.
- Do not use the torch with the flame outlet tilt down at 45 degrees or more. Doing so may cause poor ignition or damage the torch due to overheating of the area around the flame outlet.
- Do not use the torch while dust or extraneous particles are stuck to the area around the flame outlet or air vents. Doing so is dangerous as it may cause abnormal burning or an accident.

**Use of Canister and Proper Handling**

**Warning**

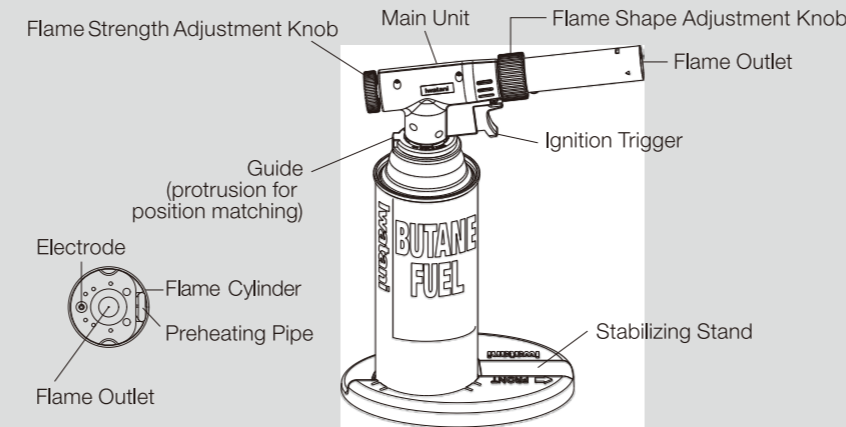
- Do not place a canister close to fire or in direct sunlight (in a car or indoors beside a window, etc.). Store canister in a well-ventilated areas with low humidity and at temperatures of 104°F/40°C or less.
- Always store a canister with its canister cap fixed in place.
- Do not leave a canister in a location exposed to hot air, such as in front of a heater. Doing so may cause an explosion from rising pressure in the canister due to the heat.
- Do not throw a canister into a fire. Doing so may cause an explosion from rising pressure in the canister due to the heat.
- Dispose of empty butane canisters in accordance with the local ordinance for the disposal of hazardous waste.
- If a canister still makes a rustling sound when shaken, it still has some gas remaining. Use up the remaining gas before disposing.
- Always read the caution information indicated on the canister thoroughly and ensure that the canister is used and stored correctly.



**Caution**

- Always use a dedicated canister with the Iwatani Butane Fuel label as the canister for the torch. If a different canister is used, a gas leakage may occur, or it may not be possible to use the torch correctly.
  - Do not subject the canister to strong impacts. Strong impacts pose the risk of gas leaks due to breakage of the canister.
  - Periodically inspect a stored canister. If rust has formed, don't use the canister.
- If the canister is loosely attached or insecurely fixed after performing the attaching operation, stop using it immediately and replace it with a new canister.

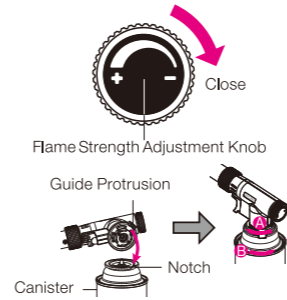
**Names of Various Components**



**How to Use**

**1 Attaching a Canister**

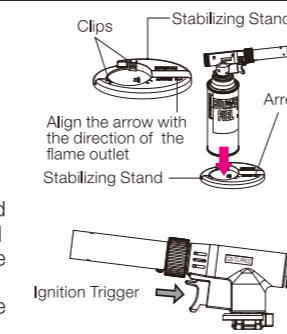
- ① Make sure there is no source of ignition nearby.
- ② Twist the flame strength adjustment knob all the way in the direction denoted by the “-” symbol and make sure that it is closed.
- ③ Align the inner guide (protrusion) of the canister holder with the cut out portion of the canister. Twist the torch in the direction of the A arrow while pushing down from above and twist the canister in the direction of the B arrow until resistance is met (around 35 degrees).



Caution: Attaching a canister in a tilted position is very dangerous as liquid gas will come inside the torch piping to cause an enlarged flame. Always attach the canister while it is standing upright.

Caution: After attaching the canister, if you discover a hissing sound from the attachment point indicating a gas leakage or smell gas, remove the canister, remove any dust attached to the joints if present, and re-attach the canister. If the gas does not stop leaking, cease usage and seek repairs from the distributor where you purchased the product.

- ④ Align the base of the canister with the depressions in the stabilizing stand and push down vertically until it clicks into place. (Attach the stabilizing stand so that the [⇨] arrow is facing forward.)



**2 Lighting and Using**

- ① Rotate the flame strength adjustment knob about one-third of the way in the direction denoted by the plus (“+”) symbol to let the gas out of the canister and immediately pull the ignition trigger for lighting. In the event of failure to light, turn the flame strength adjustment knob back in the negative direction and perform the same lighting operation again.

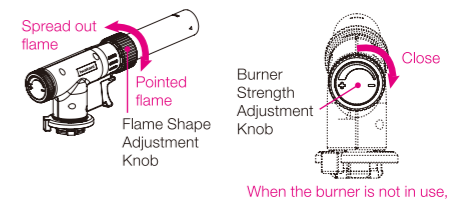
Caution: Under high temperature conditions in summer or in the event of using a new canister, the gas pressure is sometimes so high that it is difficult to light. In this case, turn the knob a little in the negative direction and retry the lighting operation. Under low temperature conditions, the flame may be small. In this case, use a canister stored at an ambient temperature. When it is difficult to light, for example in the event of using a new canister, turn the Flame Shape Adjustment Knob in the direction marked with Close (counterclockwise) before performing the lighting operation.

Caution: Do not move or tilt the torch immediately after ignition. Doing so is dangerous as it can cause the flame to grow in size.

- ② When the flame strength adjustment knob is twisted in the direction denoted by the plus (“+”) symbol, flame strength can be increased, while it can be decreased by twisting the same knob in the direction denoted by the minus (“-”) symbol.
- ③ Release your finger from the ignition trigger and apply the flame solely to the object to be burned. When moving the flame outlet vertically or horizontally, do so slowly. An abrupt motion is dangerous as it loosens the joint between the torch and the canister and cause gas leaks.

**3 Adjusting Flame Shape**

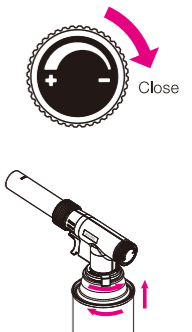
When the flame shape adjustment knob is rotated to the left (anticlockwise), the flame becomes more gentle and spread out. When the same knob is rotated to the right (clockwise), the flame can be adjusted into a more concentrated and pointed shape. Make adjustments based on the intended use during operation.



When adjusting the flame, always hold the main unit. Holding the canister while adjusting the flame is dangerous, as the main unit may slip.

**4 Extinguishing**

- ① Turn the flame strength adjustment knob in the negative direction to the end, and the flame will go off.
- ② Verify that you do not smell gas and that the flame has been completely extinguished.
- ③ After the torch has sufficiently cooled, verify that there is not source of ignition in the surrounding area, remove the canister by reversing the procedures of attachment. For detaching while the flame outlet is hot, for example for replacing the empty canister, be sure to verify that the flame has completely gone off and be careful to keep your hands from touching the flame outlet. Perform the detaching operation slowly.



**Regular Inspection and Storage**

**Inspection before Use**

- Always check for presence of gas leaks and ensure that the canister is properly attached.
- Remove all dirt and debris. In particular, dirt near the flame outlet can lead to poor ignition.

**Storage Location**

- Store the product in a location free of fire and other sources of heat.
- When the product is not being used, detach the canister from the main unit.
- Store the torch in a box or bag so that dust, extraneous materials and insects do not get into the flame outlet.
- Place a cap over the canister and store it in a well-ventilated area free of fire and other sources of heat at temperatures up to 104°F/40°C.

**[The following behaviors do not constitute malfunctions or abnormal operation.]**

- The canister cannot be attached.
  - If the guides (protrusions) of the canister holder are out of alignment with the attachment position, you will not be able to attach a canister. Attach the canister after returning the Inner Guide Protrusion to the correct positions.
- The flame rapidly grows.
  - If the canister was tilted when attached, liquid gas may have entered the torch, causing an enlarged flame.
  - Using the torch in a laterally tilted position or upside down will let some liquid gas out to cause an enlarged flame.
- The flame slides back towards the hand.
  - It is dangerous to use this product when the flame outlet is clogged after the torch is dropped on top of food, as it results in improper lighting or the flame moving back towards the hand. It is also dangerous if a spider or insect blocks the gas passageway. Be sure to remove extraneous materials prior to use.
- Ignition of the flame gets worse.
  - When the gap between the electrodes and pipe inside the flame outlet fall out of alignment, poor sparks will be produced and ignition gets worse. Make adjustments so that the gap between the electrode and the flame cylinder is 0.77"/2mm to 0.11"/3mm.

**Repair and servicing**

- Warranty is limited to one year commencing from date of purchase. If any failure occurs during normal use within this period, return torch burner to your dealer and repair will be done free of charge.
- If the failure is the result of negligent use or mishandling, or the result of using non-Iwatani gas canister, repairs will be done at user's expense.

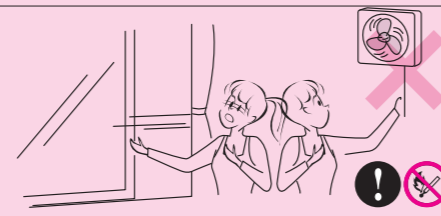
## Cautions for Use

**⚠ Danger** Please ensure that you follow these instructions to prevent fire and avoid gas accidents.

**● If you notice a gas leak, extinguish any flames immediately.**

When a gas leak occurs, the gas gives off an odor. As butane gas is heavier than air and accumulates at the bottom of a space, avoid switching on electrical products or using fire, and immediately take the following actions. (There is a danger of explosion due to ignition of the gas.)

- ① Immediately extinguish any flames. ② Remove canister.
- ③ Open a window or door and to let the leaked gas outside. (Do not use a ventilating fan.)



## ■ Cautions for Use

### ⚠ Warning

■ Use the product after attaching the canister in the correct manner as indicated in the instruction manual. If the canister has not been properly attached, there is danger of a gas leakage or detachment during use, which may result in burns or an accident.

■ Before lighting and operating the burner, always check to ensure there are no gas leaks, rattling, looseness, or cracks in the canister joints or main burner unit. Never use the product if there is a gas leak, rattling, looseness, crack or similar issue.

■ In the event a gas leak occurs, do not use the product under any circumstances. Doing so is dangerous due to the risk of burning caused by ignition.

■ When the burner is lit and operating, avoid looking into the burner outlet or pointing the burner outlet at the face or body. Doing so is dangerous due to the risk of burns caused by exposure to the flame.

■ Do not light the burner if a mist-like gas is released from the burner outlet. Lightly pull on the ignition trigger to release the gas for two to three seconds, stop pulling on the ignition trigger, allow the released gas to dissipate and perform lighting and operation again once there is no longer any odor of gas.

■ When the burner is lit and operating, the burner outlet and area around the burner outlet will become hot. Putting combustible or flammable materials near the burner is dangerous as this may cause the materials to catch fire. Only use the burner after adequately checking the safety of the surrounding area.

■ Avoid placing the burner with a canister still attached near a source of fire. Doing so is dangerous due to the risk of an explosion caused by the canister overheating from the heat of the fire source.

■ Always hold the burner one at a time. Never use two burners at the same time.

■ Usage in a closed and confined space may cause death by suffocation due to a lack of oxygen or death by carbon monoxide poisoning, and there is a risk of the canister overheating. Always use the burner in a well-ventilated location.

■ Do not modify or disassemble the burner. Doing so may cause the burner to malfunction or lead to an accident.



### ⚠ Warning

■ Do not dramatically tilt or swing the burner immediately after ignition. Doing so is dangerous as it can cause the flame to grow in size.

■ When attaching the canister to the burner, always do so with the canister standing upright.

■ Never place the burner in reach of children.

■ Whenever the burner is not in use, twist the burner strength adjustment knob fully in the direction denoted by the minus ("−") symbol to close it.

■ Attach and remove the canister in a well-ventilated area where there is no fire.

■ The area around the burner outlet will be hot during use and immediately after being extinguished. Do not touch the area until it has cooled sufficiently.

■ Make sure to detach the canister when not using the burner for an extended period.

■ To prevent the burner from falling over, only use after attaching the stabilizing plate.

■ Do not use the burner with the burner outlet pointed directly down. Doing so may cause poor ignition or damage the canister due to overheating of the area around the burner outlet.

■ Do not use the burner while dust or extraneous particles are stuck to the area around the burner outlet or air vents. Doing so is dangerous as it may cause abnormal burning or an accident.

■ The product is designed specially for usage in cooking. Do not use the burner for uses other than cooking.

■ Do not use the burner continuously for longer than five minutes. Doing so may cause malfunction due to overheating.



## Cautions for Use

### ■ Usable Canister and Proper Handling

#### ⚠ Warning

■ Do not place a canister close to fire or in direct sunlight (in a car or indoors beside a window, etc.). Store canister in a well-ventilated areas with low humidity and at temperatures of 104°F/40°C or less.

■ Do not leave a canister in a location exposed to hot air, such as in front of a heater. Doing so may cause an explosion from rising pressure in the canister due to the heat.

■ Do not throw a canister into a fire. Doing so may cause an explosion from rising pressure in the canister due to the heat.

■ Dispose of used canisters only after they have been completely used up, and do so in accordance with local rules for the separation of waste.

If a canister still makes a rustling sound when shaken, it still has some gas remaining. Use up the remaining gas before disposing.

■ Always read the caution information indicated on the canister thoroughly and ensure that the canister is used and stored correctly.



#### ⚠ Caution

● Always use a dedicated canister with the Iwatani Butane Fuel label as the canister for the burner. If a different canister is used, a gas leakage may occur, or it may not be possible to use the burner correctly.

● Do not subject the canister to strong impacts, such as drops. Strong impacts pose the risk of gas leaks due to breakage of the canister.

● Periodically inspect stored canister. If rust has formed, always check for gas leakages and use the canister as soon as possible.

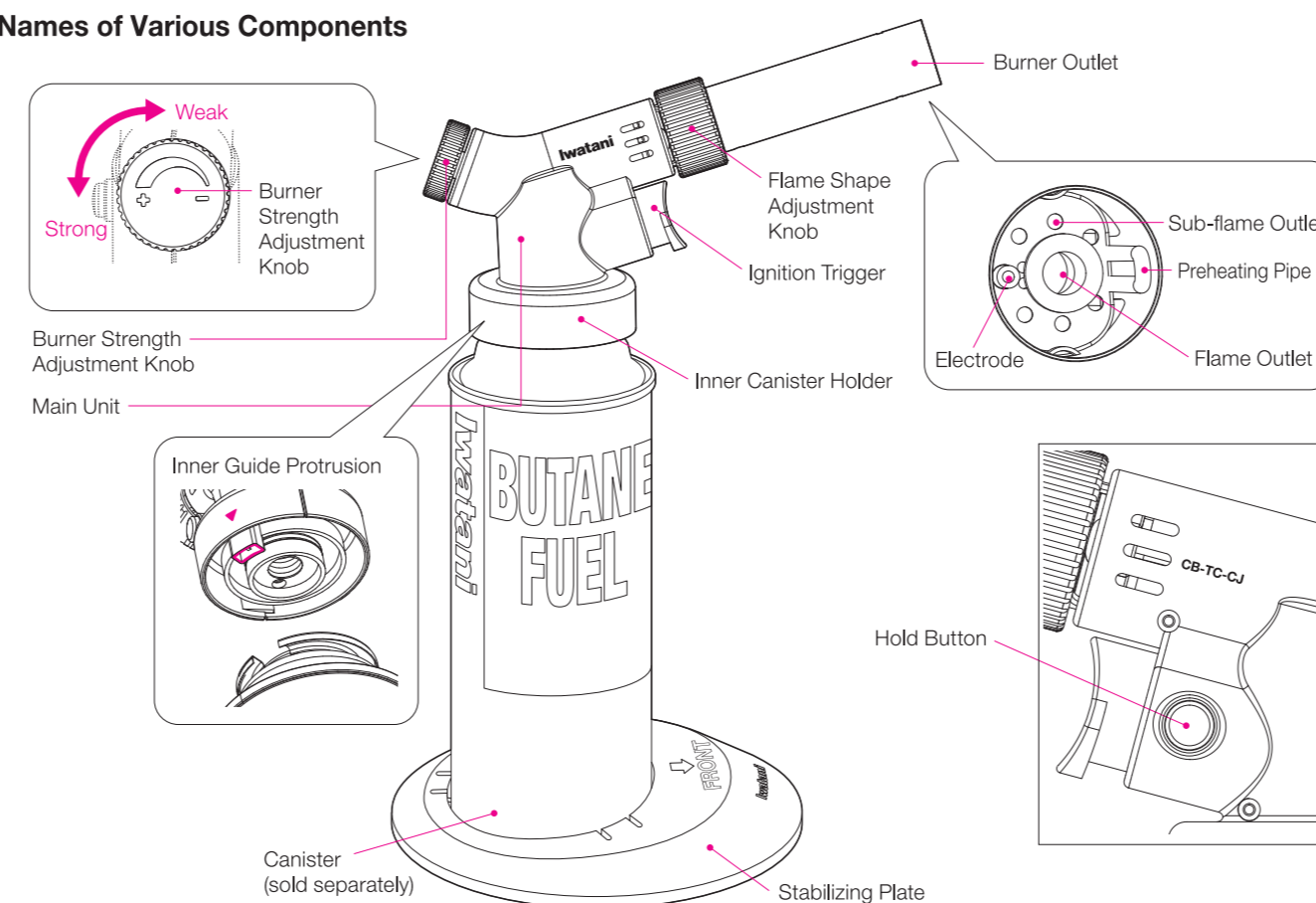
● Always store a canister with its canister cap fixed in place.

### Canisters Compatible with the Product

Iwatani Butane Canister

## Names of Various Components

### ■ Names of Various Components



## How to Use

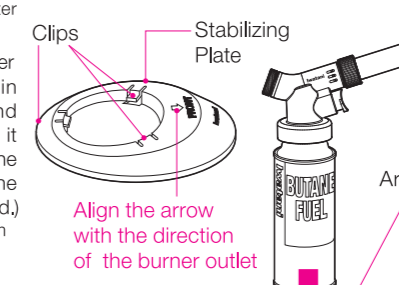
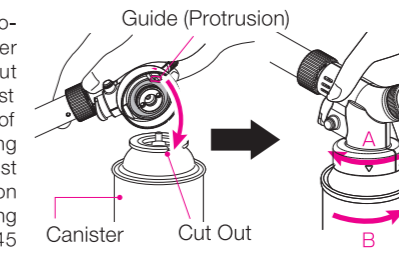
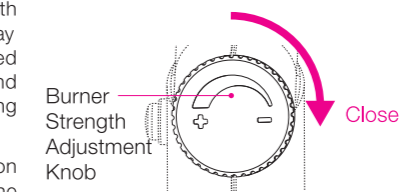
### ■ Attaching a Canister

① Twist the burner strength adjustment knob all the way in the direction denoted by the "−" symbol and check that no gas is being released.

② Pull once on the ignition trigger and check that the hold button is released.

③ Align the inner guide (protrusion) of the canister holder with the cut out portion of the canister. Twist the burner in the direction of the A arrow while pushing down from above and twist the canister in the direction of the B arrow until meeting resistance (around 45 degrees).

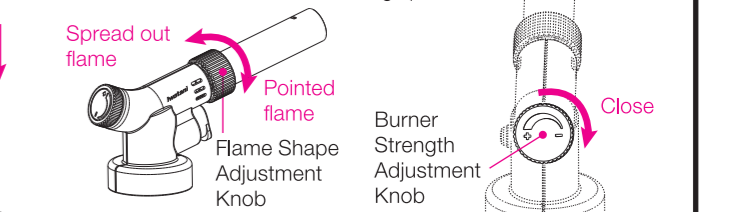
④ Align the base of the canister with the depressions in the stabilizing plate and push down vertically until it clicks into place. (Attach the stabilizing plate so that the [→] arrow is facing forward.) \*To prevent the canister from toppling over, attach the stabilizing plate before use.



### ■ Burner Strength (Flame Strength) Adjustment

When the burner strength adjustment knob is twisted in the direction denoted by the plus ("+") symbol, burner strength can be increased, while it can be decreased by twisting the same knob in the direction denoted by the minus ("−") symbol.

■ **Adjusting Flame Shape**  
When the flame shape adjustment knob is rotated to the left (clockwise), the flame becomes more gentle and spread out. When the same knob is rotated to the right (anticlockwise), the flame can be adjusted into a more concentrated and pointed shape. Make adjustments based on the intended use during operation.



When adjusting the flame, always hold the main unit. Holding the canister while adjusting the flame is dangerous, as the main unit may slip.

### ■ Maintaining the Ignited State of the Burner

If you press in the orange-colored Hold button with the ignition trigger pulled back and the burner lit, the ignited state of the burner can be maintained even if you remove your finger from the trigger. When extinguishing the flame, pull back on the ignition trigger a second time. The hold button will be released, after which the flame can be extinguished.

\*Always extinguish the flame using the ignition trigger. Do not extinguish the flame using the burner strength adjustment knob.

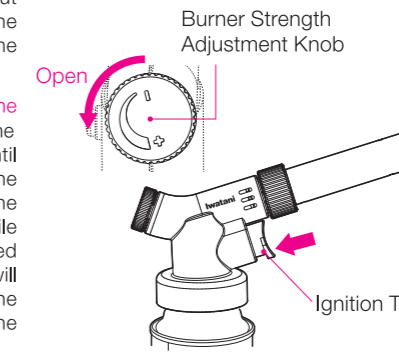
### ■ When Finishing Usage and When Storing the Burner

① Turn the burner strength adjustment knob all the way in the direction denoted by the minus ("−") symbol to close the gas passage valve.  
② Once the burner has sufficiently cooled, remove the canister by reversing the procedures for attachment. Store the burner in a way that prevents dust or extraneous materials from entering the burner outlet.

### ■ Igniting the Burner

① Rotate the burner strength adjustment knob about one-third of the way in the direction denoted by the plus ("+") symbol.

② Slowly pull back on the ignition trigger in the direction of the arrow until a click is heard to ignite the burner. The lit state of the burner will continue while the ignition trigger is pulled back, and the flame will be extinguished when the finger is removed from the ignition trigger.



### ⚠ Warning Make sure you have thoroughly read the following cautions before using the burner.

- Attaching the canister at an angle is dangerous, as liquid gas may get into the burner pipes causing a large flame when the burner is ignited. Always attach the canister to the torch burner while holding the canister in an upright position.
  - When attaching the canister, always check that the Hold button is released.
  - After attaching the canister, if you discover a hissing sound from the attachment point indicating a gas leakage or smell gas, remove the canister, remove any dust attached to the joints if present, and re-attach the canister. If the gas does not stop leaking, cease usage and seek repairs from the distributor where you purchased the product.
  - Before igniting the burner, check that the base of the canister is firmly fixed in place with the three clips on the stabilizing plate.
  - While operating the lit burner and immediately after igniting the burner, avoid dramatically tilting the burner or swinging it wildly. Doing so is dangerous as it can cause the flame to grow in size.
  - Do not ignite the burner in the direction of people, combustible materials or flammable materials. Doing so may cause a fire or accident.
  - When using the burner with a spread out flame, be careful to avoid burns as the flame will increase in length.
  - The area around the burner outlet will become hot. Avoid touching the burner until it has sufficiently cooled down.
  - Twisting the burner strength adjustment knob stronger than necessary may cause malfunction.
- \*The burner can be used at an angle around five seconds after it has been lit.  
\*When the canister is exposed to high temperatures such as during the summer or when a new canister is used, it may be difficult to light the burner. In such cases, ignite the burner after turning the burner strength adjustment knob only a small amount.